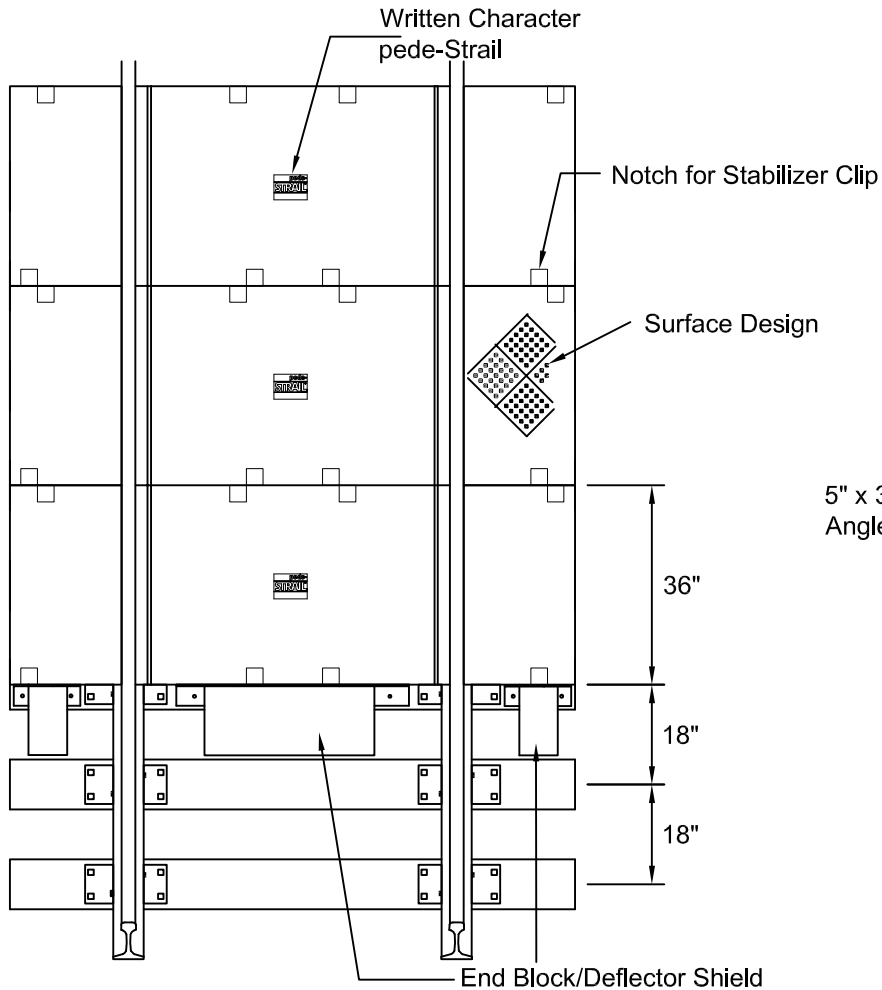
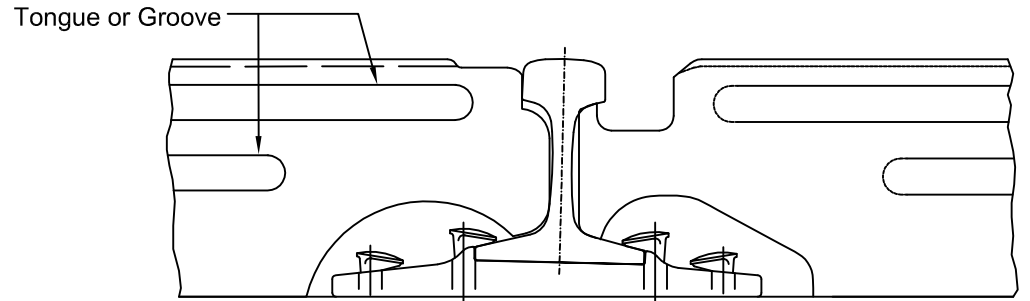
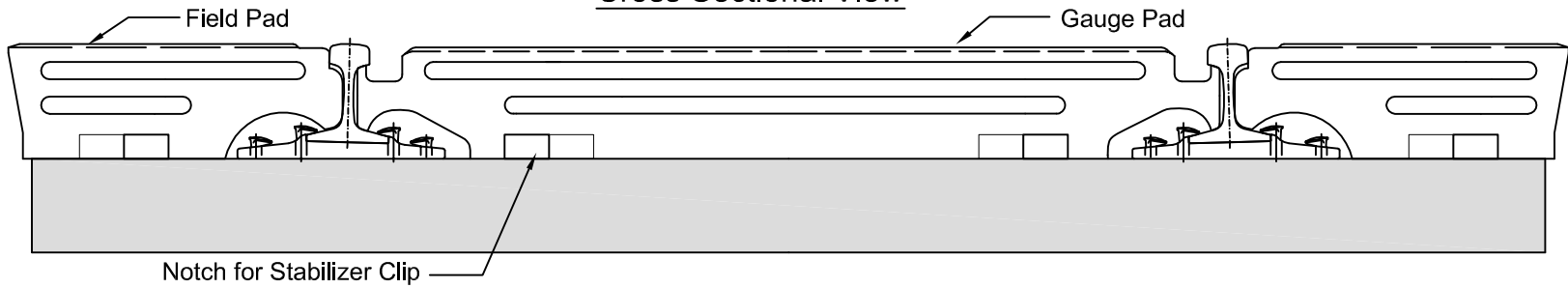
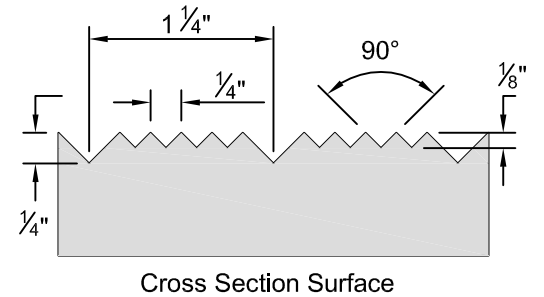
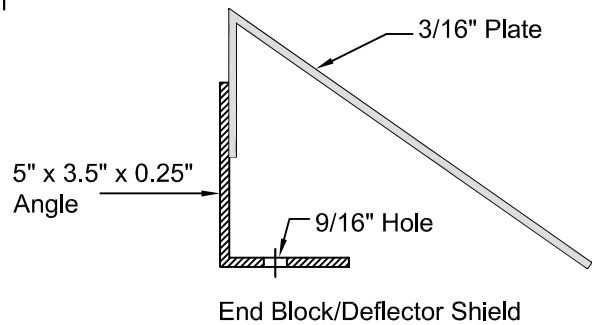


Cross Sectional View



View from the Top



**Each 3 Ft. Section
Consists of:**
1 GaugePad
2 Field Pads

Note: Tie are to be spaced 18" on center through the crossing.

HiRAIL

HiRAIL Corporation

Full Depth Rubber
System Drawing, Wood Ties, Pedestrial

Drwg: System Wood Ties
No FB

Drawn: wjb 012908	Rev.
Rev. wjb 071408	Rev.
Rev.	Rev.